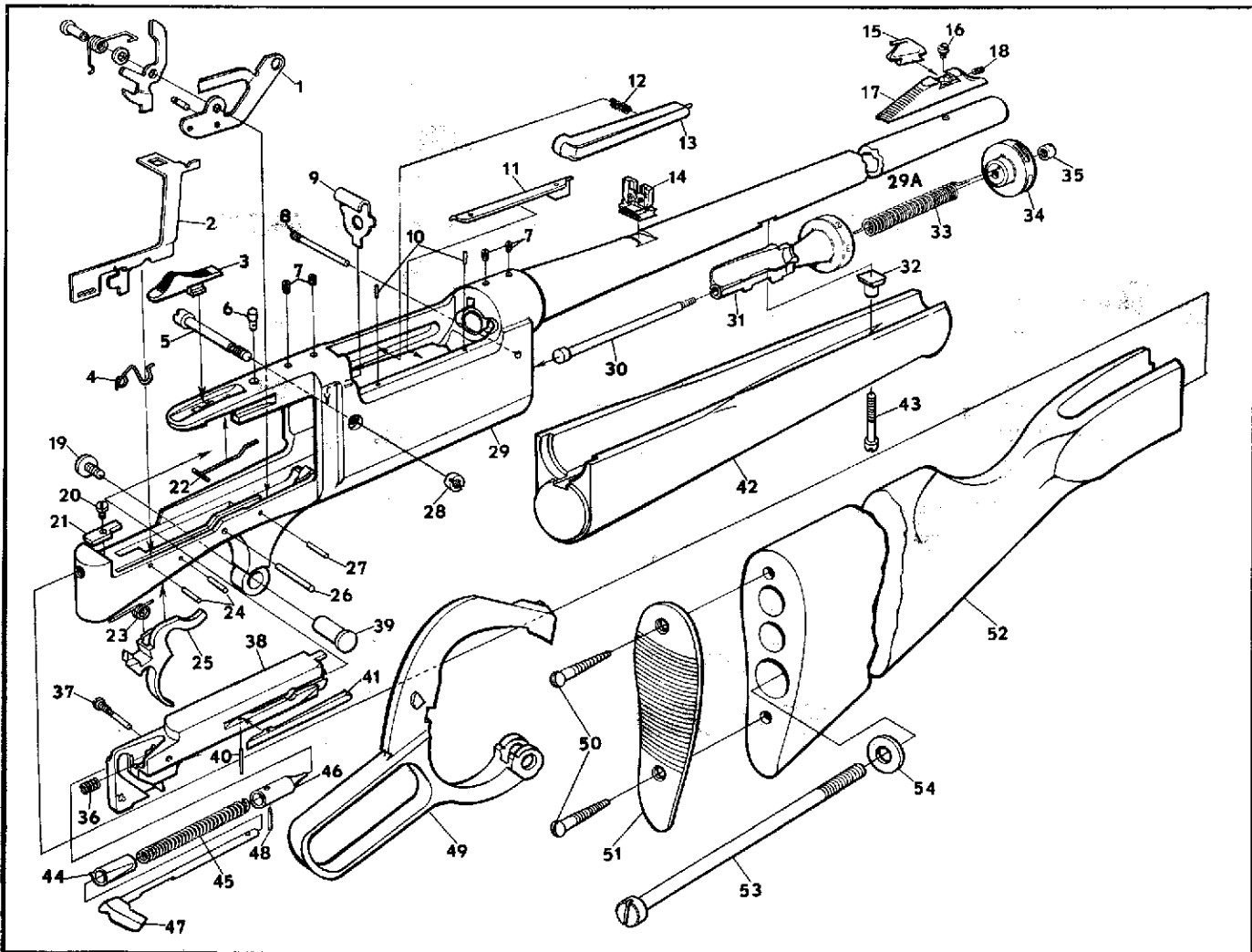


# Savage Models 99, 358 and 99A Series A Repeating Lever Action Rifle



WHEN ORDERING PARTS, IT IS NECESSARY TO SPECIFY MODEL NUMBER AND SERIES, CALIBER AND SERIAL NUMBER.

99A-11-76

Key No.	Part No.	Part Name	Key No.	Part No.	Part Name	Key No.	Part No.	Part Name
<b>PARTS COMMON TO MOST MODELS ARE LISTED BELOW. EXCEPTIONS FOLLOW GENERAL LISTING.</b>								
1	**A99-652	Sear Bracket Assembly	23	99A-284	Trigger Spring	42	A99B-4	Forend
2	99-645	Safety Slide	24	99-648	Safety Slide Spring and Stop Pin	43	99B-421	Forend Screw
3	99-193	Safety Button	25	**99B-279	Trigger	44	99-424	Hammer Bushing
4	99-647	Safety Slide Spring	26	99-285	Trigger Pin	45	99A-166	Mainspring
5	99H-441	Sear Screw	27	99-653	Sear Bracket Pin	46	99-77	Firing Pin
6	99A-426M	Hammer Indicator	28	99-442	Sear Screw Nut	47	A99A-107	Hammer
7	99R-289	Dummy Screw	29	*99-2	Receiver	48	99-396	Firing Pin Securing Pin
8	99-437	Carrier Spindle Head Screw	29A	**99-1	Barrel (Specify caliber)	49	**A99B-416	Lever
9	99H-576	Carrier Spindle Support	30	99H-435	Carrier Spindle	50	94-32	Butt Plate Screw
10	99-415	Cartridge Guide Pin	31	99F-434	Carrier (Specify caliber)	51	99-5	Butt Plate
11	99H-414	Cartridge Guide (Specify caliber)	†A99F-434	†A99F-434	Carrier Assembly (Specify caliber)	52	A99B-3	Stock
12	515-278	Automatic Cut Off Spring	32	99-11	Barrel Stud	53	940-252	Stock Bolt
13	99H-410	Automatic Cut Off	33	99-30	Carrier Spring (Specify caliber)	54	94-253	Stock Bolt Washer
14	110-229	Rear Sight	34	99-436	Carrier Spindle Head	<b>PARTS FOR MODEL 99-358, ONLY</b>		
15	99-218	Front Sight	35	99-438	Carrier Spindle Nut	†A99-3		Stock
16	110-227	Front Sight Screw	36	99-429	Hammer Retractor Spring	†515-60		Recoil Pad Screw
17	110J-219	Front Sight Base	37	99-425	Hammer Bushing Screw	†515-314		Recoil Pad
18	730-698	Front Sight Adjusting Screw	38	**99H-25	Breech Bolt	†99T-4		Forend
19	99-419	Lever Bushing Screw	††A99B-25	††A99B-25	Breech Bolt Assembly	†170-345		Swivel Stud
20	99-444	Breech Bolt Stop Screw	39	A99-417	Lever Bushing			
21	99H-412	Breech Bolt Stop	40	99-65	Extractor Pin			
22	99A-428	Hammer Indicator Spring	41	99-59	Extractor			

\*Sold for factory installation ONLY. Complete firearm to be returned to factory.

\*\*RESTRICTED PART. Sold only to Savage Recommended Gunsmiths who have executed an agreement with us. Otherwise, for factory installation only.

†Parts not illustrated.